




# EVEREST

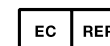
## Degenerative Spinal System Tray Layouts



©2015 K2M, Inc. All rights reserved.  
K2-29-7039-01 Rev. 0  
Actual Device Color May Vary.  
Consult Product Catalog for Details.  
For Internal Use Only.



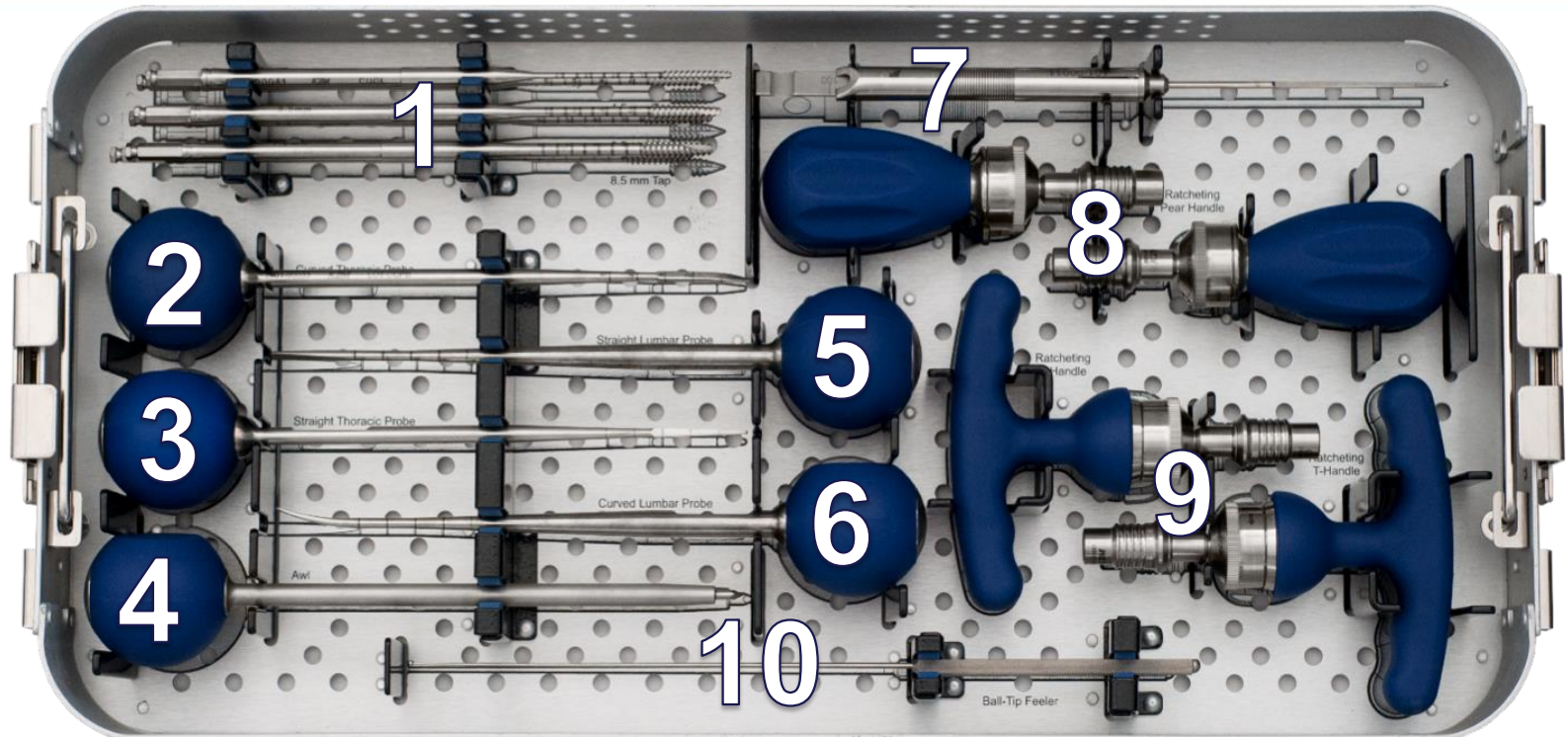
**K2M, Inc.**  
751 Miller Drive SE  
Leesburg, Virginia 20175  
USA  
PH 1.866.526.4171  
FX 1.866.862.4144



**Emergo Europe**  
Molenstraat 15  
2513 BH, The Hague  
The Netherlands  
PH +31.70.345.8570  
FX +31.70.346.7299

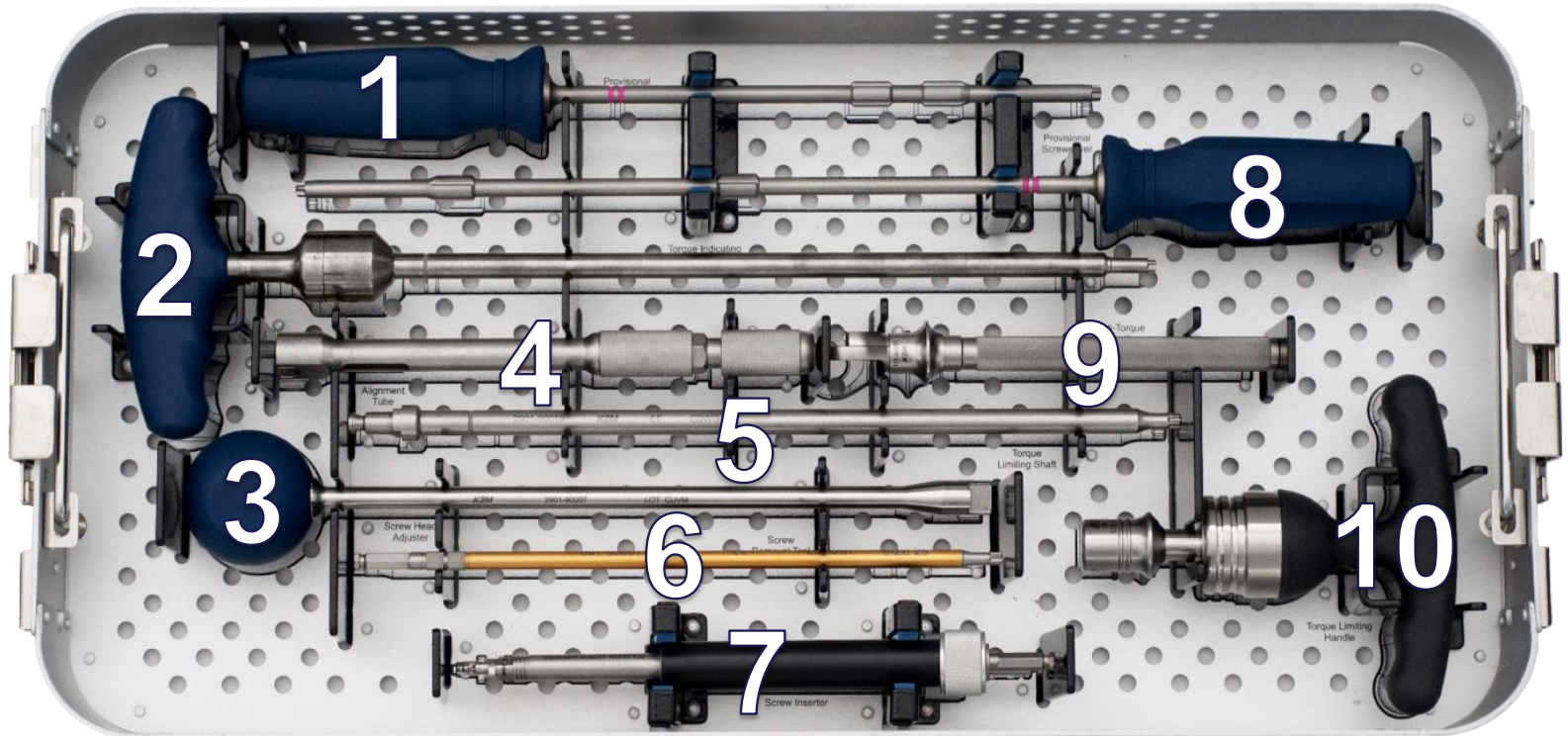


# Screw Site Preparation & Insertion Tray



Number	Catalog Number	Description
1	2901-90041-46	3.5 – 8.5 mm Taps, 1 mm Increments
2	2901-90033	Curved Thoracic Probe
3	2901-90034	Straight Thoracic Probe
4	2801-90008	Pyramid Awl, Long
5	2901-90032	Straight Lumbar Probe
6	2901-90031	Curved Lumbar Probe
7	101-90011	Depth Gauge
8	2901-90050	Ratcheting Palm handle
9	2901-90051	Ratcheting T-Handle
10	2801-90000	Ball Tip Feeler

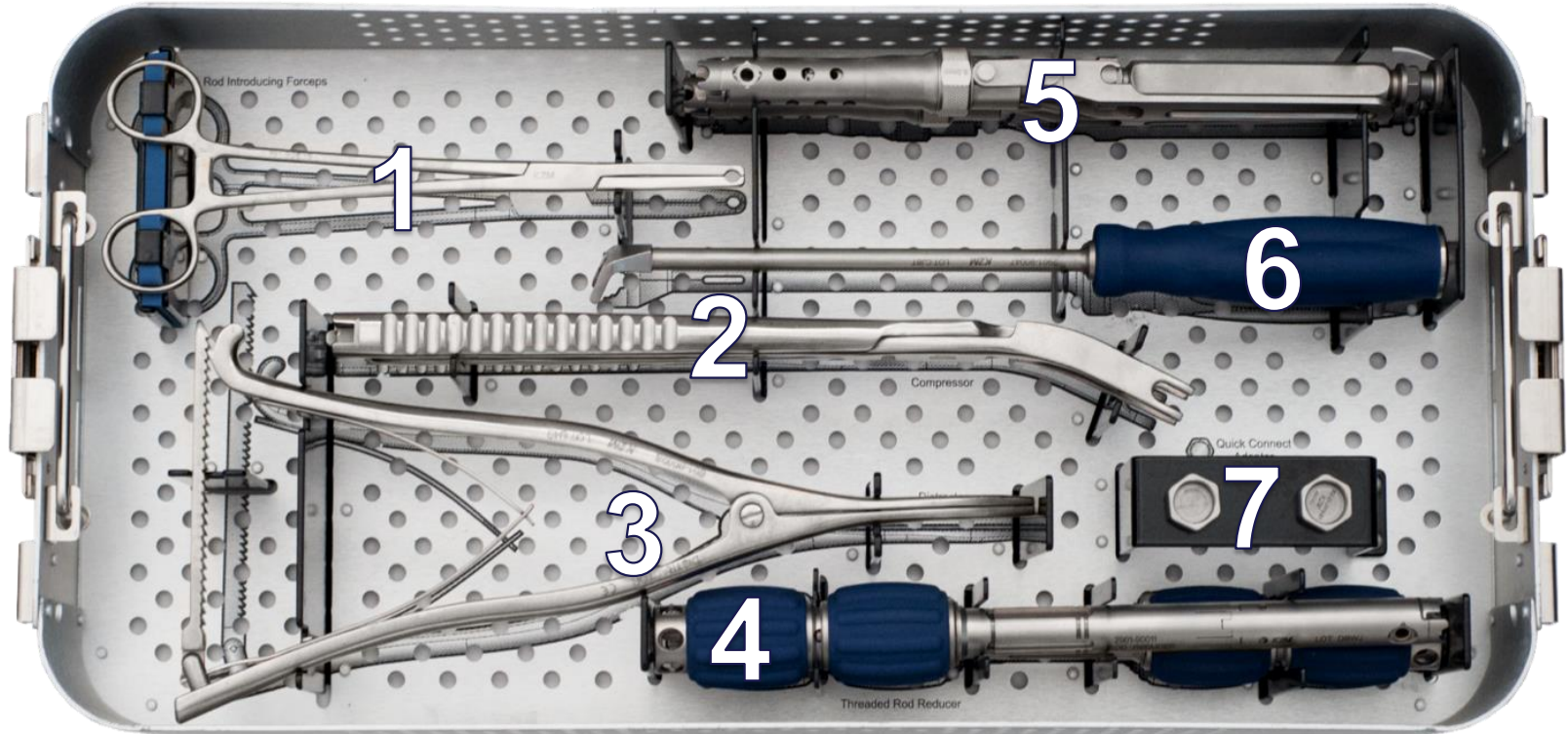
# Screw/Set Screw Insertion Tray



Number	Catalog Number	Description
1	2901-90016	Provisional Screwdriver Size 30, Short
2	2901-90018	Torque Indicating Wrench
3	2901-90007	Head Adjuster
4	2901-90015	Alignment Tube
5	2901-90019	Torque Limiting Shaft
6	5101-90107	Screw Removal Tool Size 25
7	2901-90006	Polyaxial Screw Inserter
8	2901-90017	Provisional Screwdriver Size 30, Long
9	101-90051	Anti-Torque Handle
10	2901-90133	Torque Limiting Handle



# Rod Reduction Tray



Number	Catalog Number	Description
1	101-90039	Rod Introducing Forceps
2	801-90027	Compressor
3	801-90028	Distractor
4	2901-90011	Threaded Rod Reducer
5	2901-90010	Single Action Anti-Torque Rod Reducer
6	2901-90047	Rod Fork
7	2901-90012	Quick Connect Adaptor for Rod Reducer

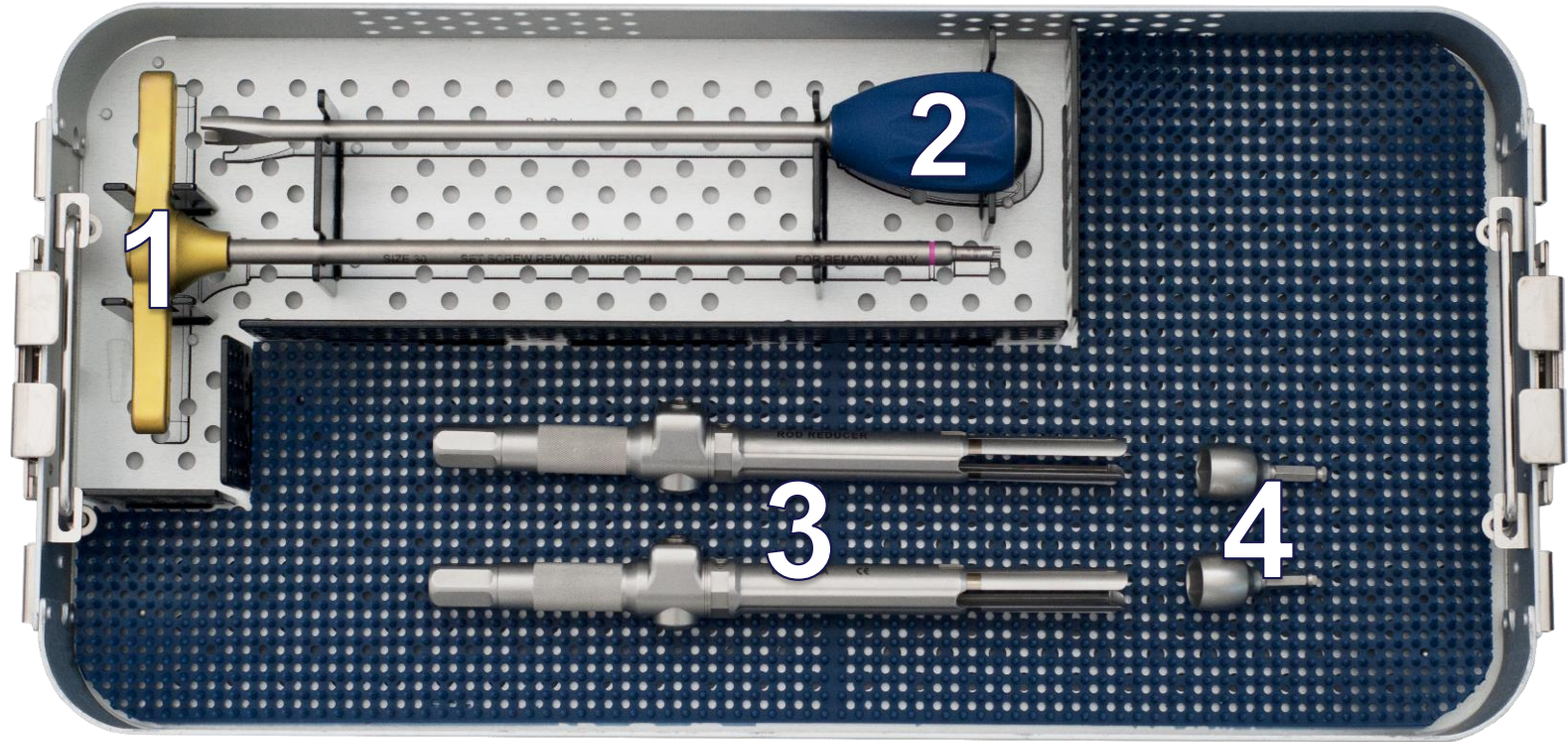
# Implant Tray



Catalog Number	Description
2911-05535-50	5.5 mm EVEREST Screws: 35 – 50 mm, 5 mm Increments
2911-06530-55	6.5 mm EVEREST Screws: 30 – 55 mm, 5 mm Increments
2911-07535-55	7.5 mm EVEREST Screws: 35 – 55 mm, 5 mm Increments
2911-08535-50	8.5 mm EVEREST Screws: 35 – 50 mm, 5 mm Increments

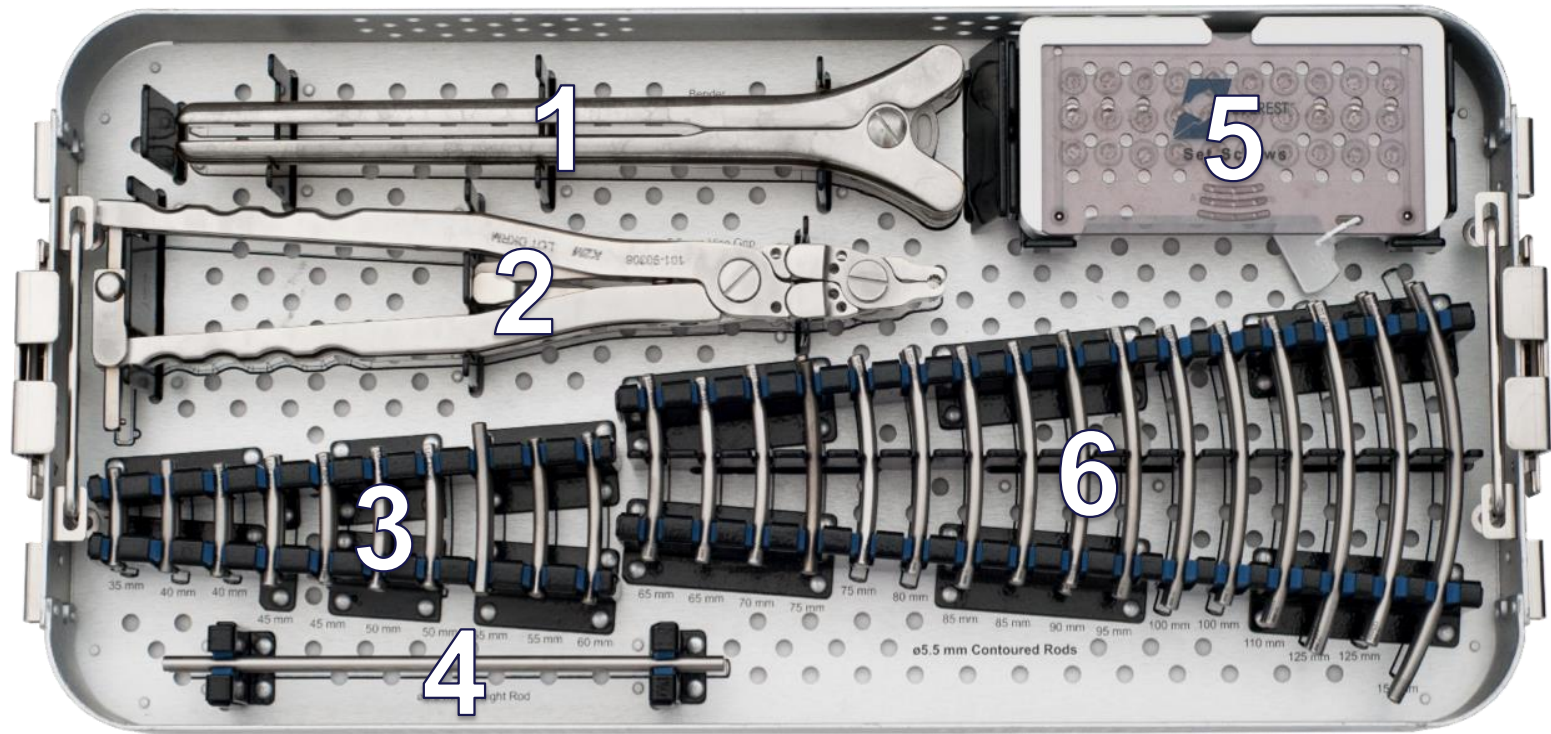


# Auxiliary/Instrument Tray



Number	Catalog Number	Description
1	2901-90056	EVEREST Removal Wrench
2	2901-90013	Rod Pusher
3	2901-90110	EVEREST Basecamp™ Reducer
4	1001-90174	Adapter Chuck

# 5.5 mm Rod Tray



Number	Catalog Number	Description
1	101-90031	French Rod Bender
2	101-90306	5.5 Vise Grip
3	101-65535-100	Contoured Rod, 5.5 x 35 – 100 mm, 5 mm Increments
4	101-555200	Straight Rod, 5.5 x 200 mm
5	2901-10001	EVEREST Set Screw
6	101-655110 101-655125 101-655150	Contoured Rod , 5.5 x 110, 125, 150 mm